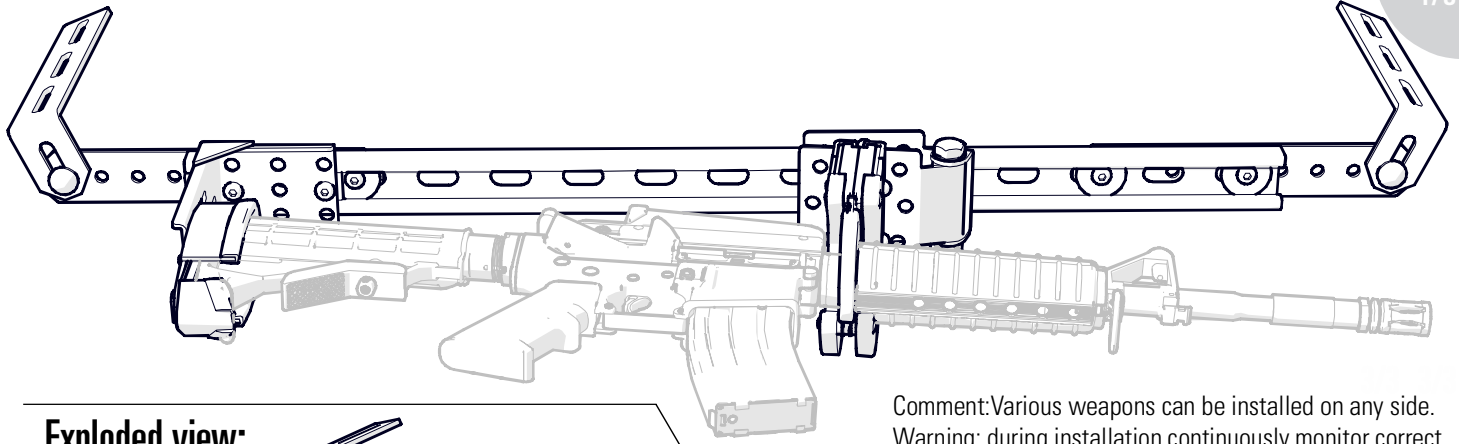


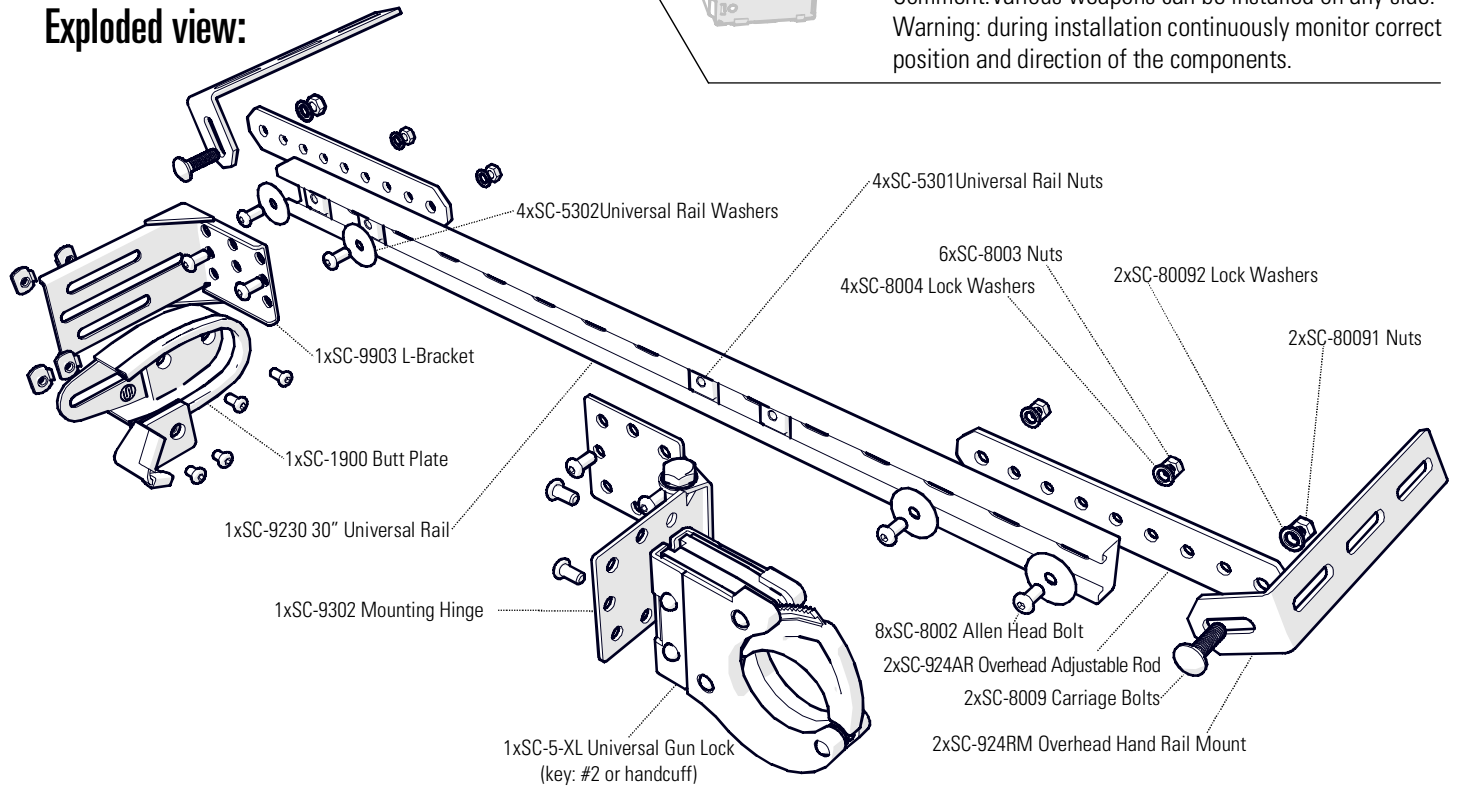
Universal Rail Overhead Large Lock Gun Rack SC-924-5XL

1/5

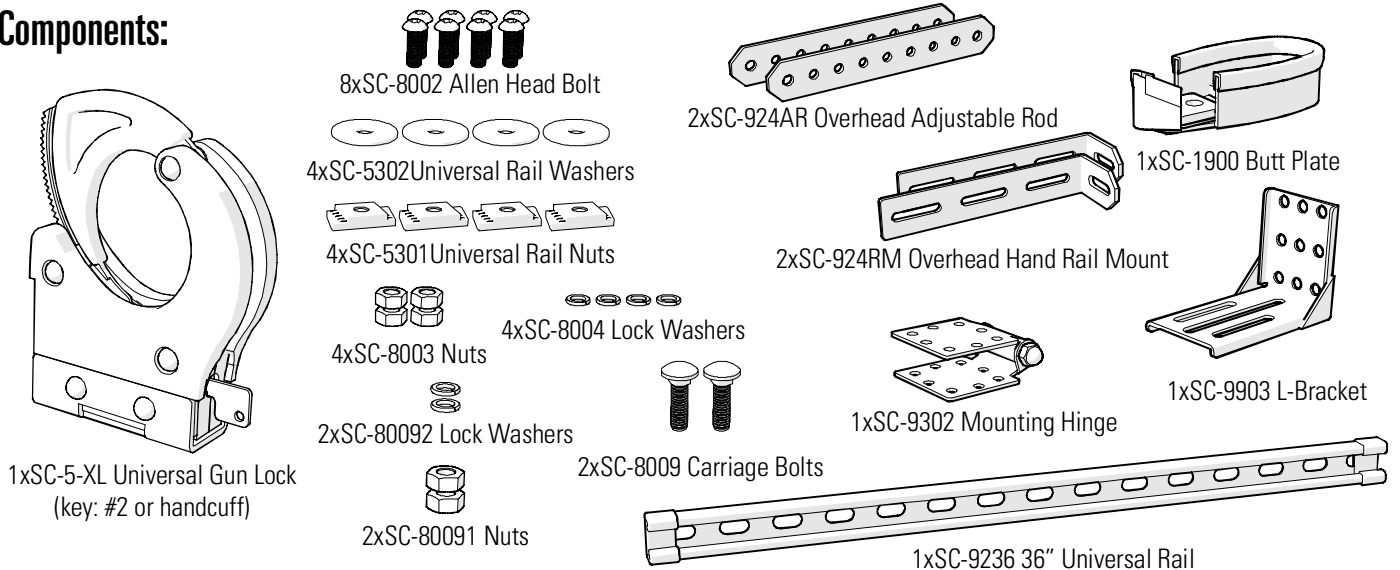


Exploded view:

Comment: Various weapons can be installed on any side.
Warning: during installation continuously monitor correct position and direction of the components.



Components:



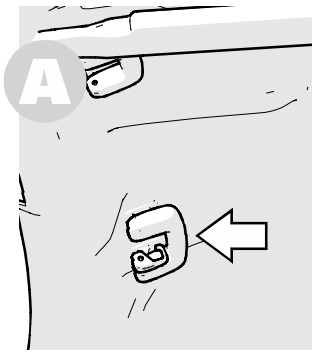
Universal Rail Overhead Large Lock Gun Rack **SC-924-5XL**

2/5

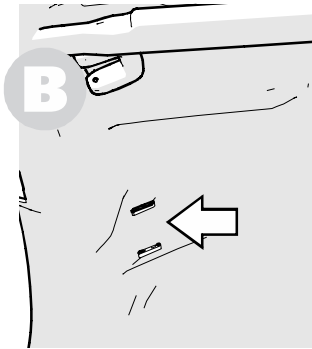
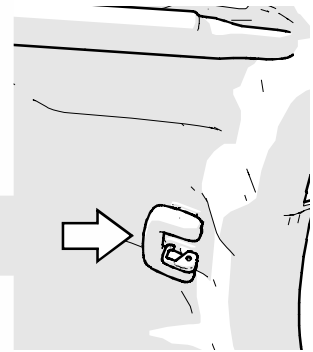
1 Remove Handle

We illustrate each step of the installation on a Ford Interceptor. Some details of the above steps may vary according to the vehicle in question.

Warning: in this procedure we utilize existing anchor points installed by the manufacturer; no need to drill into the chassis.

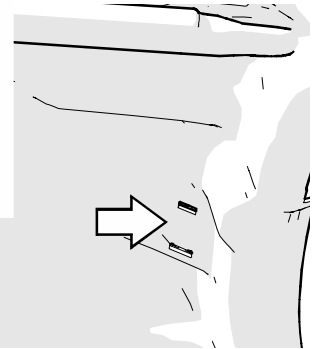


Remove the two rear handles from the car (A). Not every car has got handles for rear seats.



In some cases the anchor of the handle is covered with a plastic plug, in this case remove the plug (B).

If possible, ask a tradesman to avoid damage to the car.

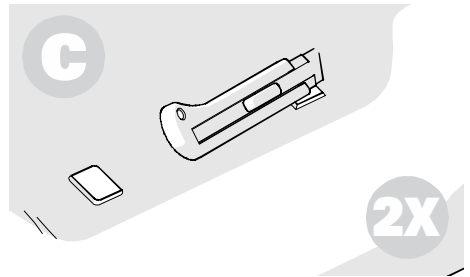
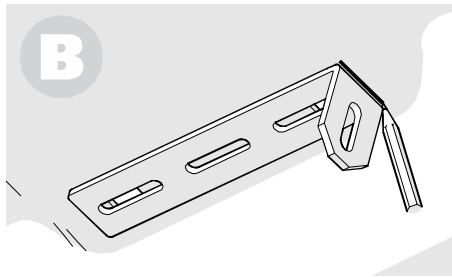
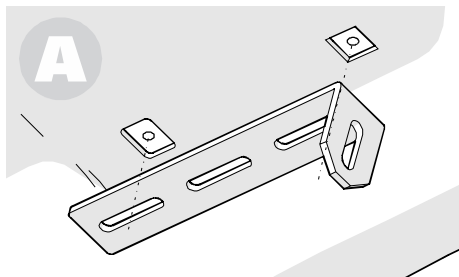


2 Cut the Wrap

Try out the Overhead Rail Mount (A) (part No. SC-924-RM) on the place of the anchors. The drive is facing the front of the car.

If the location of anchors is fine, mark the end of the Overhead Hand Rail Mount drive (B).

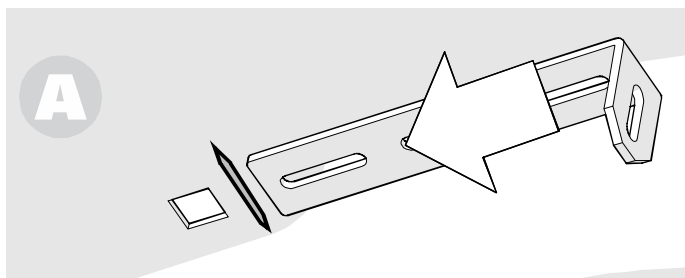
Cut the roof wrap along the marked line (C).



3 Install Hand Rail

Slide the Overhead Hand Rail Mount (A) into the cut on the wrap.

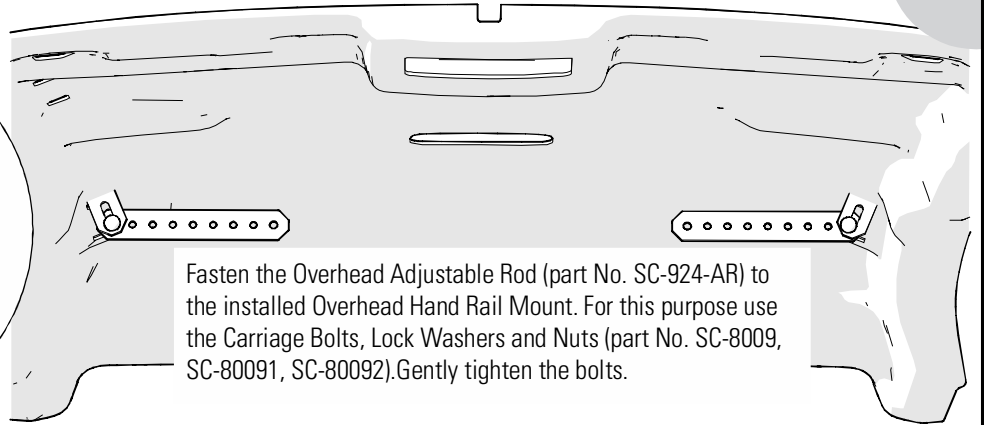
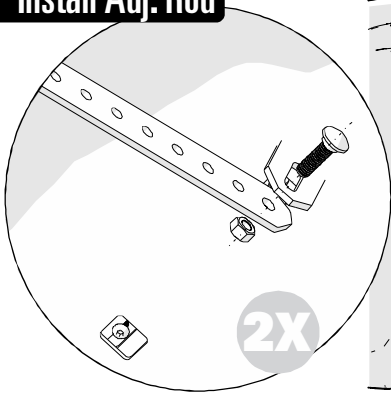
Using the two original bolts of the handle, install the Overhead Hand Rail Mount to the anchor points (B). Tighten the bolts.



Universal Rail Overhead Large Lock Gun Rack **SC-924-5XL**

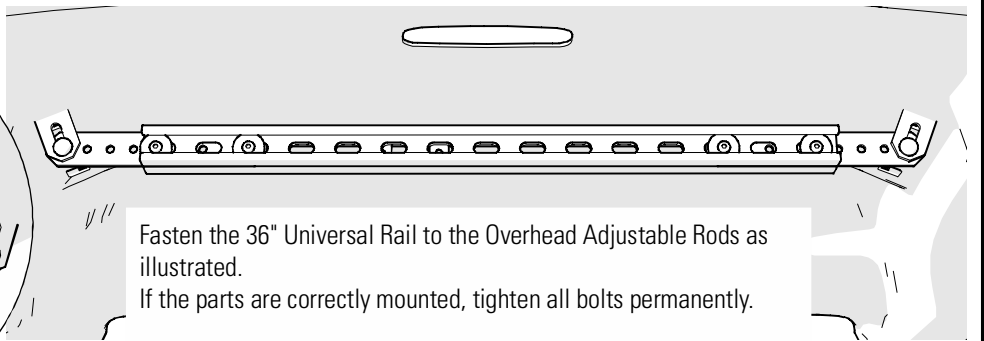
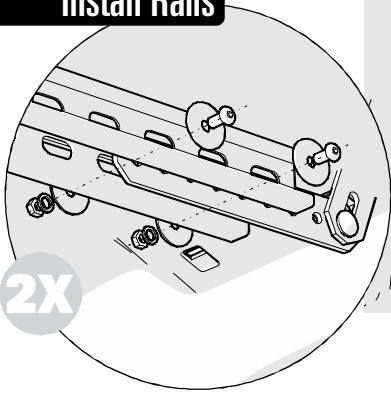
3/5

4 Install Adj. Rod



Fasten the Overhead Adjustable Rod (part No. SC-924-AR) to the installed Overhead Hand Rail Mount. For this purpose use the Carriage Bolts, Lock Washers and Nuts (part No. SC-8009, SC-80091, SC-80092). Gently tighten the bolts.

5 Install Rails

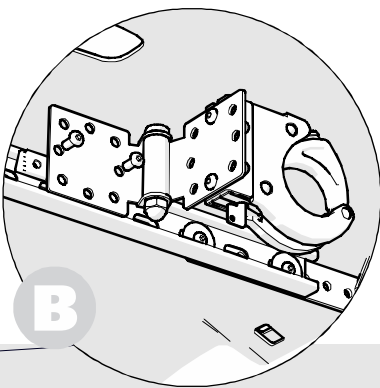
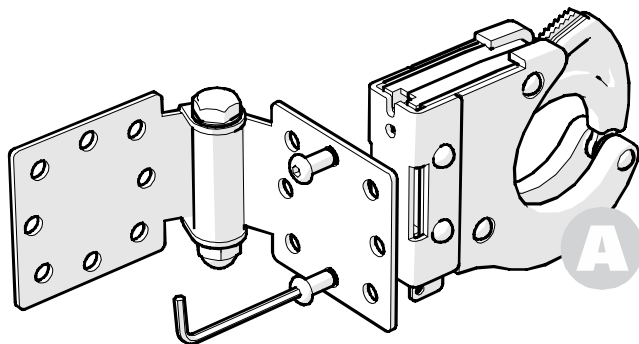


Fasten the 36" Universal Rail to the Overhead Adjustable Rods as illustrated. If the parts are correctly mounted, tighten all bolts permanently.

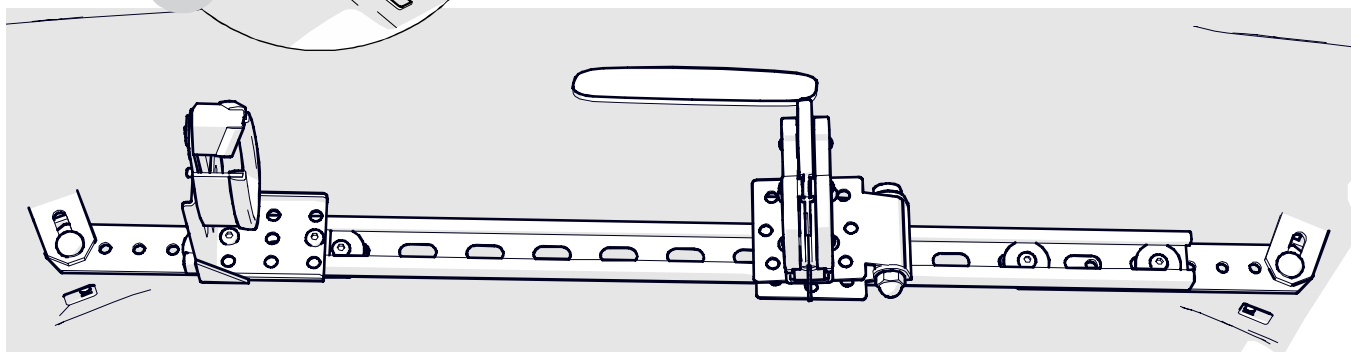
6 Install Gunlocks

Install gunlocks (A) (part No. SC-5-XL) onto Mounting Hinge (part No. SC-9302).

Warning: Think over the direction of the weapons before installation and install the two gunlocks onto the Mounting Hinges accordingly.



Install prepared gunlocks (attached to the Mounting Hinge) onto the 36" Universal Rail. For this purpose use the Universal Rail Nuts (part No. SC-5301) Do not tighten the bolts, the components should slide on the Universal Rail.



Universal Rail Overhead Large Lock Gun Rack SC-924-5XL

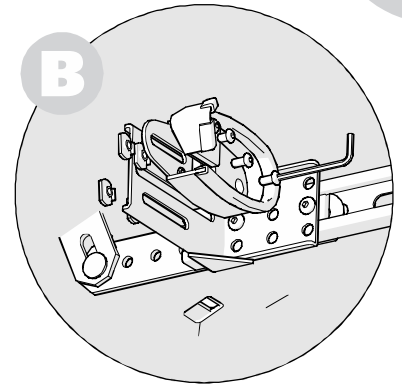
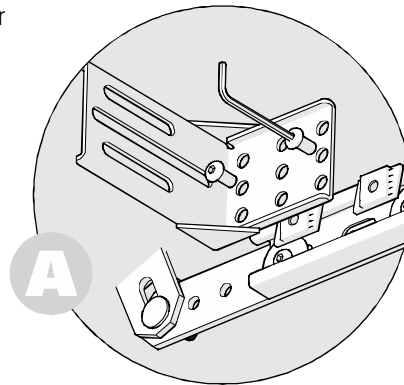
4/5

8 Install Butt Plate

Install "L" bracket (part No. SC-9903) onto the Universal Rail. For this purpose use the Universal Rail Nuts.

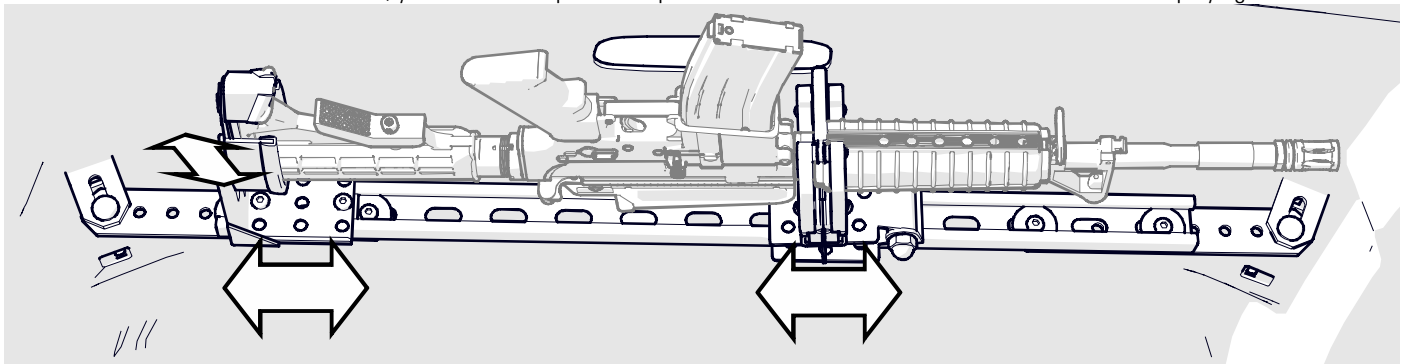
Tighten bolts a little to allow parts "L" bracket to slide along the Universal Rail.

Install the Butt Plate (part No. SC-1900) onto the "L" Bracket, using metal nuts and bolts of the Butt Plate (B).



8 Adjust the parts

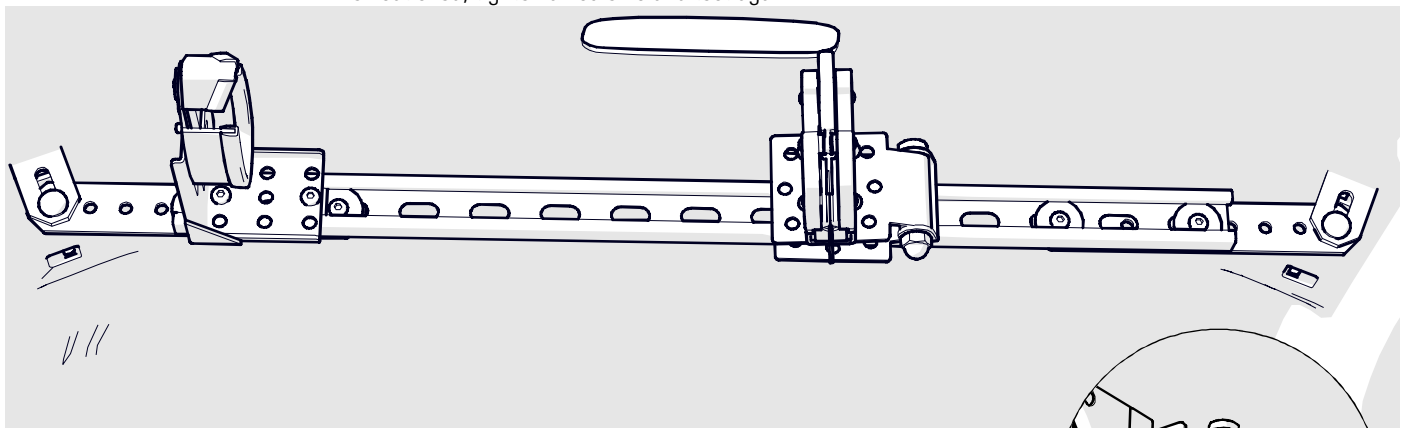
Slightly tighten all bolts and screws so you can still move parts around. Put your actual weapon in the gun lock and butt plate and position your whole assembly at your intended location. Adjust hinge height/angle and butt plate position until your weapon is properly lined up. If you close the ratchet arm tightly on your firearm, you will have to press or tap the outer rubber surface of the ratchet arm when deploying the firearm.



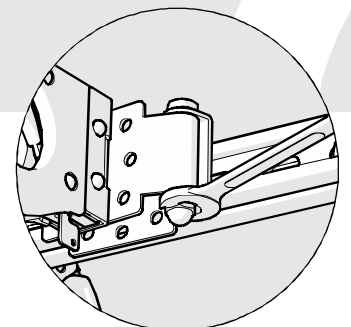
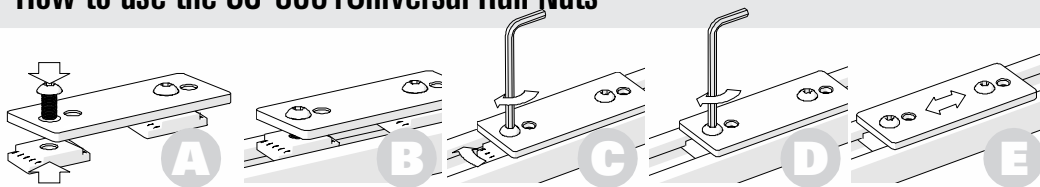
9 Tighten the Screws

Place your weapon into the setup, test and retest your installation by repeatedly inserting and removing the weapon from the assembly.

When satisfied, tighten all screws and test again.



How to use the SC-5301 Universal Rail Nuts



Universal Rail Overhead Large Lock Gun Rack **SC-924-5XL**

5/5

Important

Should you have any problem installing or using Santa Cruz products, we are here to help you every step of the way. Just give us a call at our toll free number (800) 847-5428 and we will be glad to help you with the installation, special part request or any other way you might need assistance.

WARNING! SAFETY FIRST!
Gunlock Safety Precautions



NOTE:

Santa Cruz Gunlocks, LLC (SCG) gun racks and gunlocks are intended for temporary, secure storage of firearms. They are not substitutes for a permanent storage enclosure and only act as limited theft deterrents. And they will not prevent accidental discharge/firing of a chambered round.

To properly and safely use the SCG gun rack and/or gunlock:

- Do not use if your firearm does not fit the SCG gun rack and/or gunlock
- Never chamber a round while using a SCG gun rack and/or gunlock
- It is the responsibility of the user to operate the SCG gun rack and/or gunlock properly and safely

Santa Cruz Gunlocks, LLC (SCG) warrants this product to be free of defects in material and workmanship under normal use for one year from the date of purchase.

SCG makes no other express or implied warranties of the product. The purchaser's sole and exclusive remedy in the unlikely event of breach of warranty is expressly limited to, at SCG's election, repair, refurbishment, or replacement of the defective product with the same version or an upgrade or, if replacement is not possible, a refund of the purchase price.

Shipping cost to SCG must be paid by the user and SCG will pay return shipping charges. Repair parts and replacement products will be provided on an exchange basis only and will be either reconditioned or new. This limited warranty does not cover damage to the product resulting from accident, disaster, misuse, abuse, negligence, improper installation or modification or repair of the product other than by SCG. Limited warranty service may be obtained by returning the product to SCG. THIS LIMITED WARRANTY IS IN LIEU OF ALL OTHER WARRANTIES, EXPRESS OR IMPLIED, INCLUDING, BUT NOT LIMITED TO, THE IMPLIED WARRANTIES OF MERCHANTABILITY AND FITNESS FOR A PARTICULAR PURPOSE. Some states, do not allow the exclusion of implied warranties, so their exclusion above may not apply to you.

LIMITATION OF LIABILITY

NEITHER SCG NOR ITS AUTHORIZED DEALER(S) SHALL BE LIABLE FOR ANY DIRECT, INDIRECT, INCIDENTAL, SPECIAL, OR CONSEQUENTIAL DAMAGES, WHETHER IN AN ACTION IN CONTRACT OR TORT (INCLUDING NEGLIGENCE AND STRICT LIABILITY), SUCH AS, BUT NOT LIMITED TO, LOSS OF ANTICIPATED PROFITS OR BENEFITS RESULTING FROM THE USE OR NOT USE OF THE PRODUCT OR ANY BREACH OF ANY WARRANTY, EVEN IF SCG OR ITS AUTHORIZED REPRESENTATIVE HAS BEEN ADVISED OF THE POSSIBILITY OF SUCH DAMAGES. IN NO EVENT WILL SCG OR ITS AUTHORIZED REPRESENTATIVES' LIABILITY EXCEED THE PRICE PAID FOR THE PRODUCT.

Tamper resistant hardware (optional)



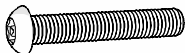
8x Tamper Resistant
Torx Head Bolt
5/16-18



6x Tamper Resistant
Break Away Nut 5/16-18



TT-40 Torx Bit



1x Tamper Resistant
Torx Head Bolt
1/2-13x3"

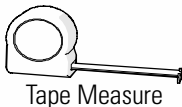


1x Tamper Resistant
Break Away Nut 1/2-13

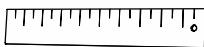


TT-55 Torx Bit

Tools needed for installation



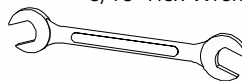
Tape Measure



Ruler



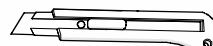
3/16" Hex Wrench



1/2", 3/4", 13/16" Wrench



Nutdriver



Knife



Pencil

Note: